



ADVANTAGES

- Excellent Chemical Resistance
- Robust Construction
- Solid Material without any Chemical Additive.

FEATURES

- Body materials: PP - PVDF - PVC
- Tmax = PP 70°C - PVDF 90°C - PVC 55°C
- Connection: Threaded (Standard) - Socket Union (Optional)
- Pump Depth 400 - 2.000 mm
- Bushing Couple Wide range of combinations (see table)
- Open impeller
- Customizable Support Flange Dimensions

APPLICATIONS

- Industry: Chemical, Electro plating, PCB board
- Acid and Alkaline solutions with the presence of solid particles in suspension
- Waste Water Treatment

SPECIFICATIONS

	Maximum capacity (l/m)	Total head (m)	Motor (kw)	T max exercise °C
50 Hz	350 ÷ 780	18 ÷ 27	1,5 ÷ 5,5	55 PVC 90 PVDF*
60 Hz	350 ÷ 780	18 ÷ 27	1,5 ÷ 5,5	70 PP

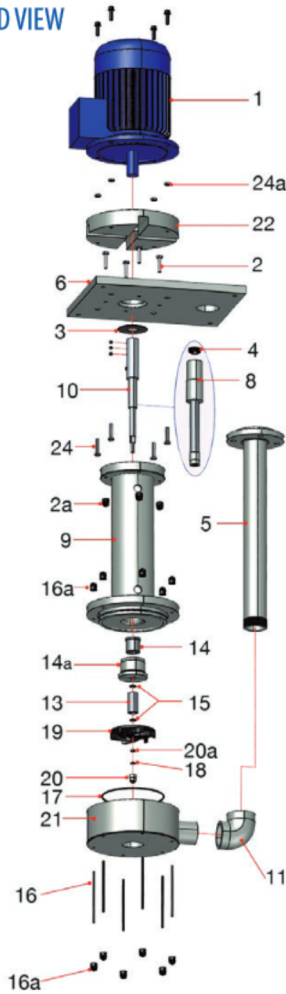
*It may change according to supplied motor and pump depth



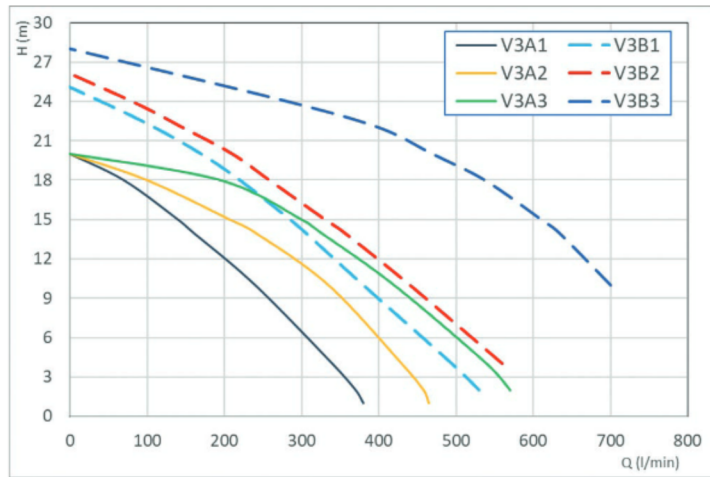
PUMP IDENTIFICATION

Model	Pump body	Shaft	Bushing couple static/rotating	DEPTH mm	Connection	Optional
V3A1 V3A2 V3A3 V3B1 V3B2 V3B3	M = PP C = PVC V = PVDF	X = INOX AISI316 T = Titanium H = Hastelloy	1 = PTFE / PTFE 2 = PTFE / Carbon 3 = Carbon / Ceramic 4 = PTFE / Ceramic 5 = Carbon / Carbon 6 = Carbon/PTFE 8 = PTFE/Silicon	04 = 400 06 = 600 08 = 800 10 = 1000 12 = 1200 14 = 1400 16 = 1600 18 = 1800 20 = 2000	T = Threaded (Standard) B = Socket Union (Optional) F = Flanged (Optional)	S = Stainer C = Additional Bushing Couple G = Flexible Coupling
V3A1	C	T	1	06	T	S

EXPLODED VIEW

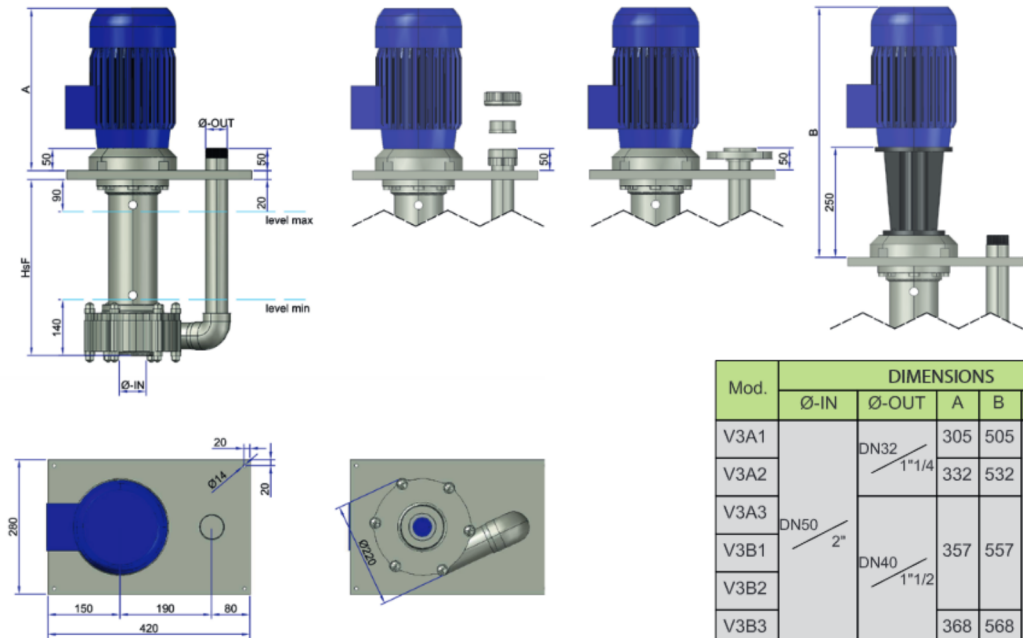


Part. description			
1	Motor	14A	Static bush housing
2	Columns screw	15	Bush O-ring
3	Baffle	16	Pump housing screw
4	Seal ring	16A	Pump housing nut
5	Discharge pipe	17	Pump housing O-ring
6	Support flange	18	Ogive O-ring
8	Shaft sleeve	19	Impeller
9	Pump column	20	Ogive
10	Shaft	21	Pump housing
11	Elbow	22	Vapour seal Housing
13	Rotating bush	24	Vapour seal Screw
14	Static bushing	24A	Vapour seal nut



Curve references: water at room temperature

DIMENSIONS



Mod.	DIMENSIONS					MOTOR			
	Ø-IN	Ø-OUT	A	B	LsF	Kw	HP	rpm	
V3A1	DN50 2"	DN32	305	505	≤ 400	1.5	2	2800	
V3A2		1"1/4	332	532		400+600	2.2	3	2800
V3A3						600+1000	4	5.5	2800
V3B1		DN40	357	557	1000+1500	3	4	2800	
V3B2		1"1/2			1500+2000	4	5.5	2800	
V3B3				368	568		5.5	7.5	2800

LAFONTE.EU may modify data any time, without notice, in order to provide product enhancement