

ADVANTAGES

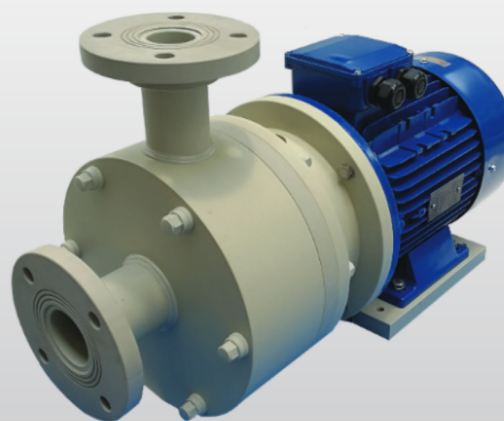
- Easy Maintenance Operations
- Energy saving
- Excellent Chemical Resistance
- Robust Solid Construction

FEATURES

- External Mechanical Seal available with different material combinations
- Tmax exercise: PP75°C - PVDF 95°C - PVC 50°C
- Connection: Flanged

APPLICATIONS FIELDS

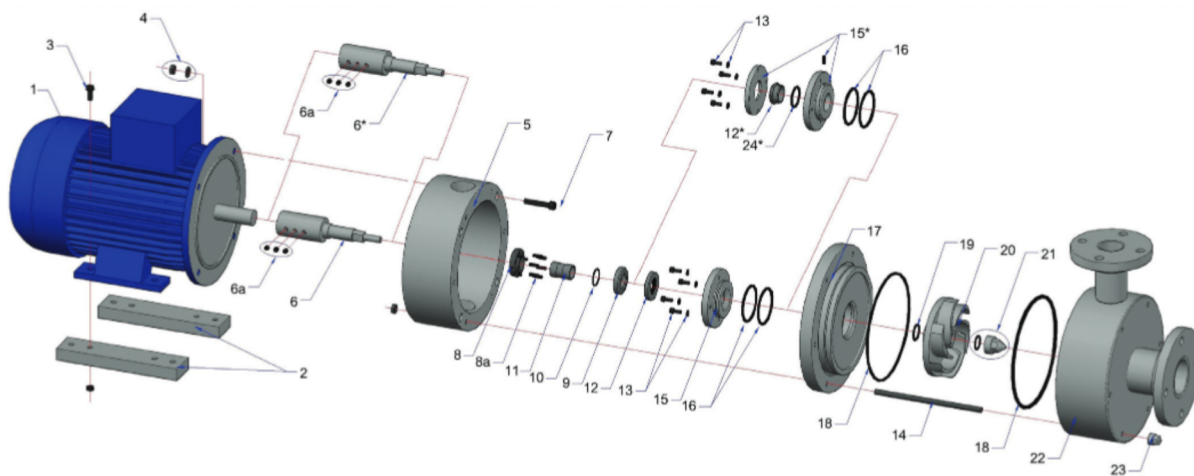
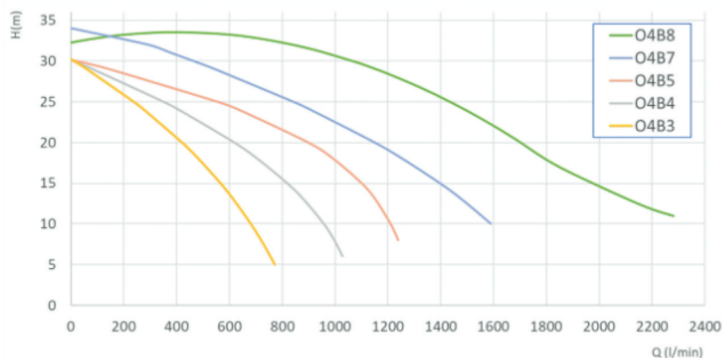
- Acid and alkaline solutions with minimal suspended particles
- Electroplating, Chemical, PCB Industry



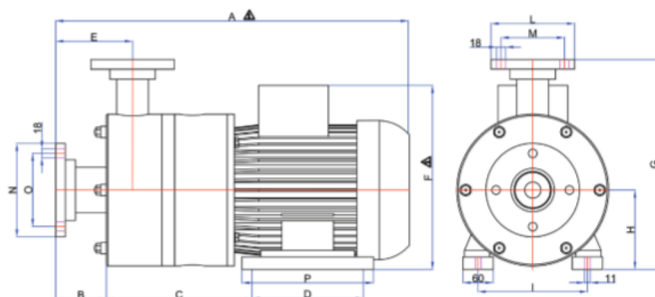
	Flow Rate max (l/min.)	Head max (m)	Motor	
			(kw)	(HZ)
04B3	840	30	5,5	50/60
04B4	1080	30	7,5	50/60
04B5	1340	30	9,2	50/60
04B7	1850	35	11,0	50/60
04B8	2250	35	15,0	50/60

PUMP IDENTIFICATION						
Model	Pump body	Shaft	Mechanical Seal / Rotating-Static	Oring	Motor/Rpm	Optional
04B3 04B4 04B5 04B7 04B8	P = PP molded C = PVC V = PVDF	X = SS 316 T = Titanium H = Hastelloy	2 = Sic/Carbon 3 = Sic/Sic 5 = Sic/Sic with anti rotation pin	E = EPDM V = Viton	A = 50Hz/2800 B = 60Hz/3400	C = Double Mechanical Seal
04B3	P	H	2	E	A	C

Performance Curve 50 Hz - Rpm 2800



- | | | |
|--------------------------------|--|--|
| 1 Motor | 9 Rotating ring | 17 Pump housing flange |
| 2 PP motor support | 10 O-Ring | 18 Pump housing O-Ring |
| 3 Motor fixing screw | 11 Shaft cover | 19 Impeller O-Ring |
| 4 Nut | 12 Static ring | 20 Impeller |
| 5 Bracket | 12* Stating ring with anti rotation pin | 21 Ogive kit |
| 6 Shaft | 13 Mechanical seal flange screw | 22 Pump housing |
| 6a Grub screw | 14 Pump housing tie rod | 23 Pump housing nut |
| 7 Bracket screw | 15 Static ring housing | 24* Static ring anti rotation ring Oring |
| 8 Mechanical seal body | 15* Static ring housing with anti rotation pin | |
| 8a Spring mechanical seal body | 16 Mech. seal flange O-Ring | |



Pump Dimension serie "O4"

MOD	A	B	C	D	E	F	G	H	I	L	M	N	O	P	DN-IN	DN-OUT
O4B3	697	100	288	220	152	364	415	157	216	165	125	185	145	260	65	40
O4B4	697	100	288	220	152	364	415	157	216	165	125	185	145	260	65	50
O4B5	737	100	288	258	152	364	415	157	216	185	145	200	160	298	80	65
O4B7	737	100	288	258	152	364	415	157	216	185	145	200	160	298	80	65
O4B8	737	100	288	258	152	364	415	157	256	200	160	230	190	298	100	80

LAFONTE.EU may modify data any time, without notice, in order to get product enhancement