

M A G N E T I C D R I V E P U M P S

MPP 101 - MPP 201

Operating principle

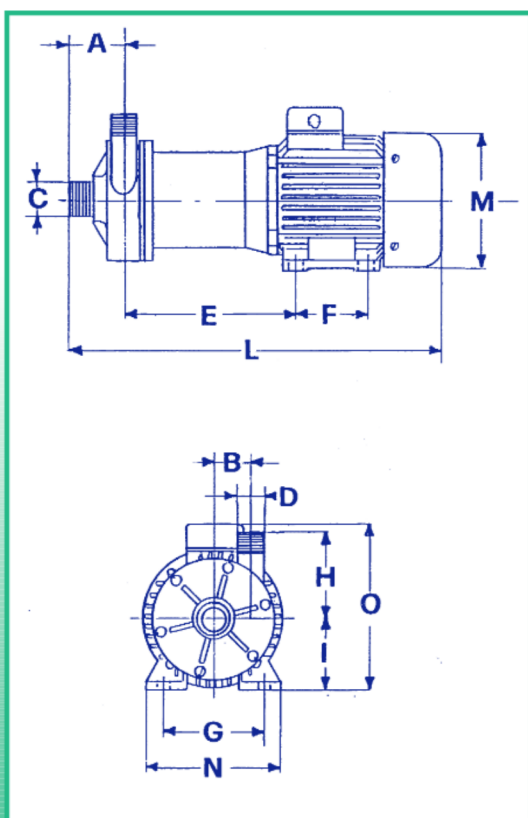
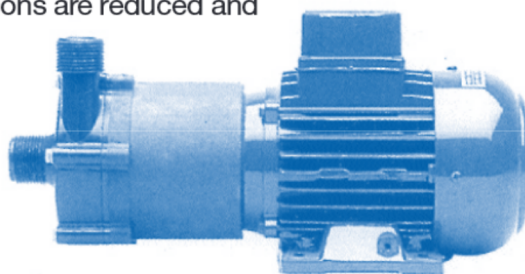
The distinctive feature of magnetic drive pump is the absence of a connection between motor and pump.

The rotation of the impeller is obtained by the magnetic force between two magnets : one is coupled to the motor, the other drives the impeller.

This construction guaranties the highest reliability and avoids any leakage, so maintenance interventions are reduced and simplified.

The materials used are:

- Polypropylene and PVDF for plastic components.
- Ceramics (Al₂O₃ 99,7%) for shaft and thrust ring.
- Rulon for bearings
- EPDM or Viton for the O-ring.



MODEL	MPP 101	MPP 201
A	50	66
B	38	38,5
C	1"	1"1/2
D	1"	1"
E	144	160
F	80	90
G	100	112
H	84	99,5
I	63	71
L*	242	398
M*	126	137
N	124	144
O*	165	185
WATT	220	550
PHASES	1-3	1-3
Rpm	2800/3450	2800/3450
Kg*	5,700	8,6

* It changes according to the assembled motor