



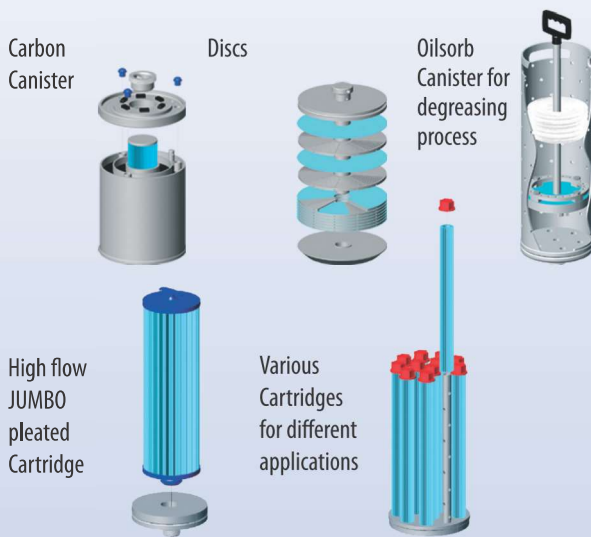
ADVANTAGES

- Ease of operation
- Long life
- Ability to Interchange with several different filtration systems in the same housing
- Ability to change between EVOLUTE magnetic drive and mechanical seal pump
- Three years warranty on filter housing

FEATURES

- Polypropylene machine solid monobloc filter housing
- Tilt lid with swing bolts closure system
- Magnetic drive or mechanical seal pump
- Solid Polypropylene base with discharge pipes and brackets on three side of the base
- Discs version, filter papers: D130/32 mm
- Filter housing improved distribution flow
- Tmax exercise 70°C with 3 Bar pressure

FILTRATION TYPE

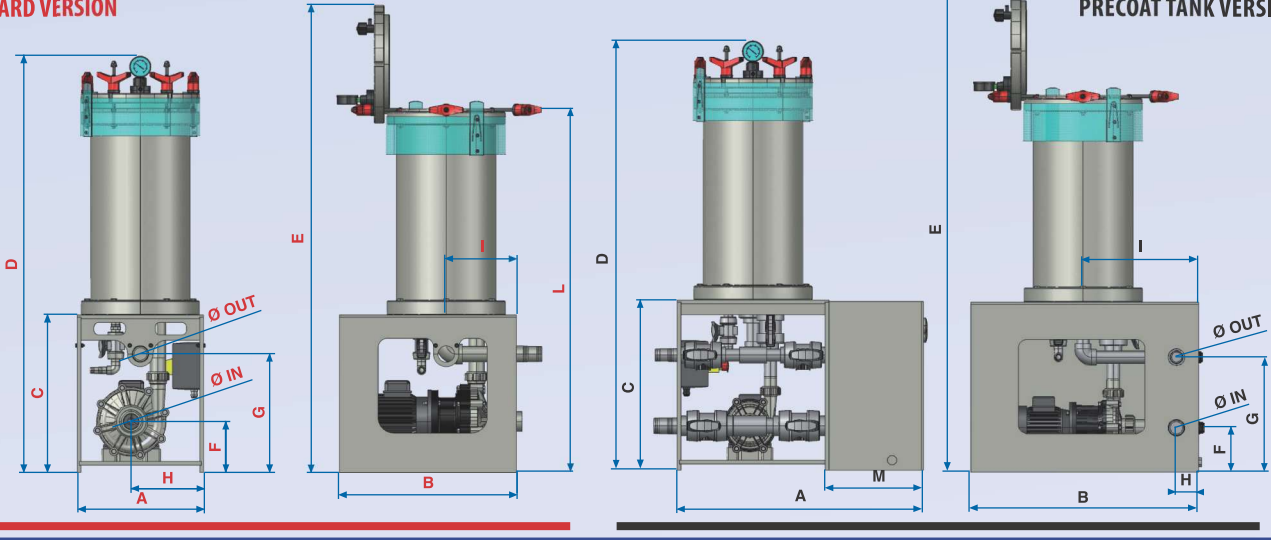


Series	Filter Chamber					Filter Element		Pump			OPTIONAL		
	Discs Dxn° (m²/l)*	Cartridges n° x l"	JUMBO DxH" (m²)	Oilsorb (l)	Carbon (l)	Discs	Cartridges	Magnetic Drive	Mechanical Seal	Material			
MIX	3D1 150x32 (0,55/2)	3C1 3x10	3J1 150x10 (1,5)			_ = carta P = Meraklon T = PTFE	_ = DOE D63 M = DOE with spring closure system P = DOE D 70 A = SOE 222 B = SOE 226	EVT7		_ = PP F = PVDF	A = Suction Valve M = Discharge B = By pass pump/filter C = Carbon treatment valves group G = Pressure Gauge V = Valve between pump and filter W = Wheels I = Interlock sensor placed on splashproof lid ring		
	3D2 150x62 (1,1/4)	3C2 3x20	3J2 150x20 (3,0)	3O2 (5)	3A2 (5)							EVT7 EVT12	EVM8 EVM12
		3C3 3x30	3J3 150x30 (3,0)									EVT7 EVT12	EVM8 EVM12
MIX	3C2							EVM12		F	GR		

* m² = Surface area / l = Sediment Volume

STANDARD VERSION

PRECOAT TANK VERSION



SERIES	HOUSING	PUMP	OVERALL DIMENSION												
			D in	D out	A	B	C	D	E	F	G	H	I	L	M
MIX	3D1 3C1 3J1	EVT7	32	32	295 570	400 480	350 410	800 860	840 900	112 117	245 300	141 65	135 220	730 790	200
	3D2 3C2 3J2 3O2 3A2	EVT7	32	32	295 570	400 480	350 410	1055 1115	1095 1155	112 117	245 300	141 65	135 220	985 1045	200
		EVM8	40 50	32 40	295 670	440 570	400 465	1200 1265	1240 1305	140 145	300 355	166 90	135 272	1035 1100	
		EVT12 EVM12 EVT15 EVM15	50	40											
		3C3 3J3	EVT7	32	32	295 570	400 480	350 410	1315 1380	1355 1420	112 117	245 300	141 65	135 220	
	EVM8		40 50	32 40	295 670	440 570	400 465	1460 1525	1500 1565	140 145	300 355	166 90	135 272	1295 1360	
	EVT12 EVM12 EVT15 EVM15		50	40											
	EVT20 EVM20				295	500	440	1500	1540	140	300	176	162	1335	

50 Hz

60 Hz

Rpm 2800	EVT7	EVM8	EVT12 EVM12	EVT15 EVM15	EVT20 EVM20
KW	0,25	0,37	0,55	0,7	1,1
A* 230/400V	1,2/0,7	1,8/1,0	2,3/1,25	3,13/1,7	4,9/2,5

Rpm 3450	EVT7 EVM8	EVT12 EVM12	EVT15 EVM15	EVT20 EVM20
KW	0,37	0,55	0,7	1,1
A* 220/380V	2,6/1,5	2,9/1,7	3,9/2,2	6,0/3,5

* Values could change according with type of used motor

* Values could change according with type of used motor

