

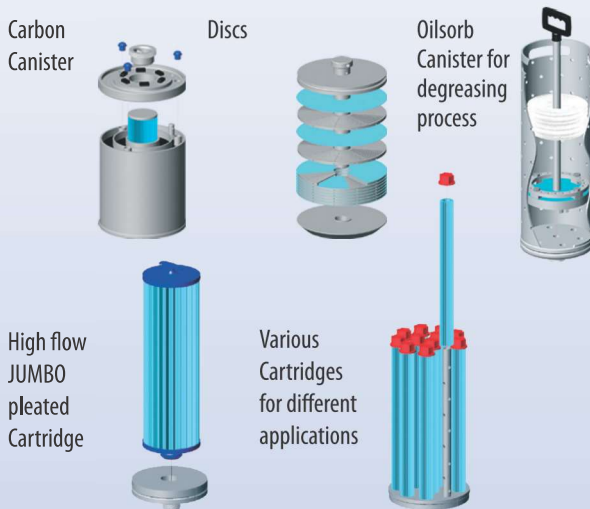
ADVANTAGES

- Ease of operation
- Long life
- Ability to Interchange with several different filtration systems in the same housing
- Ability to change between EVOLUTE magnetic drive and mechanical seal pump
- Three years warranty on filter housing

FEATURES

- Polypropylene machine solid monobloc filter housing
- Tilt lid with swing bolts closure system
- Magnetic drive or mechanical seal pump
- Solid Polypropylene base with discharge pipes and brackets on three side of the base
- Pre coat tank version
- Discs version, filter papers: D295/50 mm
- Filter housing improved distribution flow
- Tmax exercise 70°C with 3 Bar pressure

FILTRATION TYPE

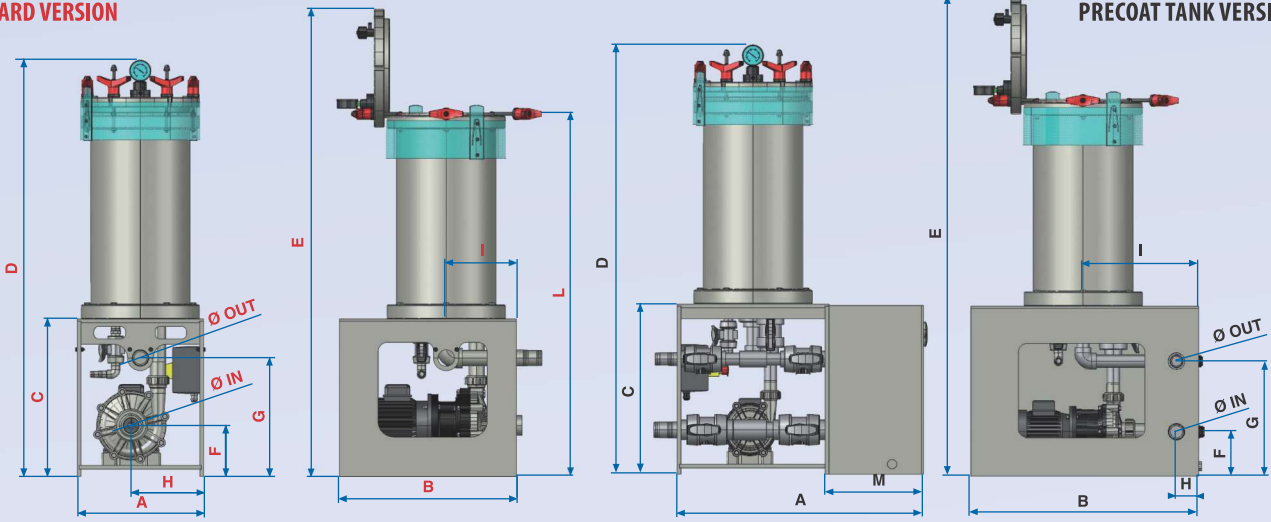


| Series | Filter Chamber | | | | | Filter Element | | Pump | | | OPTIONAL |
|--------|-------------------------------|-----------------------|-----------------------|----------------|---------------|---------------------------------------|---|-------------------------|------------------------|--------------------|---|
| | Discs Dxn° (m²/l)* | Cartridges n° x l" | JUMBO DxH" (m²) | Oilsorb (l) | Carbon (l) | Discs | Cartridges | Magnetic Drive | Mechanical Seal | Material | |
| MIX | 15D1 290x33 (2,2/9,5) | 15C1 15x10 | | | | _ = carta P = Meraklon T = PTFE | _ = DOE D63 M = DOE with spring closure system P = DOE D 70 A = SOE 222 B = SOE 226 | EVT7 EVT12 EVT15 | EVM8 EVM12 EVT15 | _ = PP F = PVDF | A = Suction Valve M = Discharge B = By pass pump/filter C = Carbon treatment valves group G = Pressure Guage V = Valve between pump and filter T = Prea coat tank W = Wheels I = Interlock sensor placed on splashproof lid ring |
| | 15D2 290x66 (4,4/19) | 15C2 15x20 | | 15O3 (30) | 15A3 (30) | | | EVT15 EVT20 EVT25 | EVM15 EVM20 | | |
| | 15D3 290x100 (6,6/28,5) | 15C3 15x30 | | | | | | EVT20 EVT25 EVT30 | EVM20 | | |
| MIX | 15D2 | | | | | | | EVT25 | | M | AMGR |

* m² = Surface area / l = Sediment Volume

STANDARD VERSION

PRECOAT TANK VERSION



| SERIES | HOUSING | PUMP | OVERALL DIMENSION | | | | | | | | | | | | | |
|--------|----------------|--|-------------------|------------|------------|------------|--------------|--------------|--------------|--------------|------------|--------------|--------------|--------------|-----|--------------|
| | | | D in | D out | A | B | C | D | E | F | G | H | I | L | M | |
| MIX | 15D1 15C1 | EVT7 | 32 | 32 | 450 780 | 560 595 | 350 420 | 920 990 | 1125 1195 | 117 | 290 300 | 170 65 | 240 285 | 795 815 | 330 | |
| | | EVM8 EVT12 EVM12 EVT15 EVM15 | 50 | 40 | 450 810 | 590 720 | 450 500 | 1120 1170 | 1225 1275 | 145 | 320 355 | 185 90 | 250 337,5 | 465 915 | | |
| | | EVT15 EVM15 | 50 | 40 | 450 | 590 | 450 | 1375 | 1480 | 145 | 320 | 185 | 250 | 1120 | | 330 |
| | | EVT20 EVM20 | | 50 | 450 | 590 | 450 | 1425 | 1530 | 145 | 355 | 90 | 337,5 | 1170 | | |
| | | 15D2 15C2 15O2 15A2 | EVT25 | 63 | 63 | 450 890 | 650 780 | 500 660 | 1375 1535 | 1480 1640 | 162 247 | 360 450 | 204 100 | 275 387 | | 1170 1330 |
| | EVT20 EVM20 | 50 | 50 | 450 810 | 590 720 | 450 500 | 1635 1685 | 1740 1790 | 145 | 320 355 | 185 90 | 250 337,5 | 1430 1480 | | | |
| | 15D3 15C3 | EVT25 EVT30 | 63 | 63 | 450 890 | 650 780 | 500 660 | 1685 1795 | 1790 2050 | 162 247 | 360 450 | 204 100 | 275 387 | 1480 1640 | 330 | |

50 Hz

60 Hz

| Rpm 2800 | EVT7 | EVM8 | EVT12 EVM12 | EVT15 EVM15 | EVT20 EVM20 | EVT25 EVM25 | EVT30 EVM30 |
|----------------|---------|---------|----------------|----------------|----------------|----------------|----------------|
| KW | 0,25 | 0,37 | 0,55 | 0,7 | 1,1 | 1,5 | 2,2 |
| A* 230/400V | 1,2/0,7 | 1,8/1,0 | 2,3/1,25 | 3,13/1,7 | 4,9/2,5 | 6,5/3,8 | 8,7/5,0 |

| Rpm 3450 | EVT7 EVM8 | EVT12 EVM12 | EVT15 EVM15 | EVT20 EVM20 | EVT25 EVM25 | EVT30 EVM30 |
|----------------|--------------|----------------|----------------|----------------|----------------|----------------|
| KW | 0,37 | 0,55 | 0,7 | 1,1 | 1,5 | 2,2 |
| A* 220/380V | 2,6/1,5 | 2,9/1,7 | 3,9/2,2 | 6,0/3,5 | 8,0/4,6 | 10,2/6,0 |

* Values could change according with type of used motor

* Values could change according with type of used motor

