



ADVANTAGES

- Excellent Chemical Resistance
- Low Energy Consumption thanks to the "Volute" Design of the Pump Body
- Dry-run capability for Pump depth till 600mm (no bushes version)

FEATURES

- Body materials: PP - PVDF - PVC
- Tmax = PP 70°C - PVDF 95°C - PVC 50°C
- Connection: Socket Union (Standard); Flanged (Optional)
- Pump Depth 400 - 1.800 mm
- Bushing Couple Wide range of combinations (see table)
- Open impeller
- Customizable Support Flange Dimensions

APPLICATIONS

- Industry: Chemical, Electro plating, PCB board
- Acid and Alkaline solutions with the presence of solid particles in suspension
- Waste Water Treatment

SPECIFICATIONS

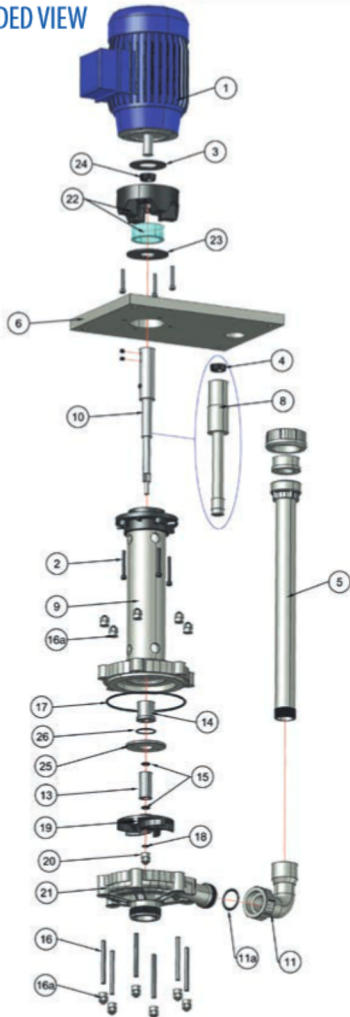
	Capacity (l/min.)	Total head max (m)	Motor (kw)	IN/OUT D mm	T max exercise °C
50 Hz	160	10	0,37	50x32	PP = 70°C PVDF = 95°C PVC = 50°C
60 Hz	170	12	0,37		

*It may change according to supplied motor and pump depth



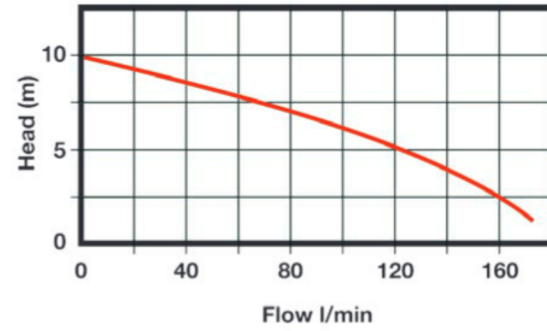
PUMP IDENTIFICATION								
Mod.	Pump body	Shaft	Bushing couple static/rotating	DEPTH mm		Connections	Motor	Optional
EVV8	P = PP F = PVDF C = PVC	X = INOX AISI316 T = Titanium H = Hastelloy	1 = PTFE / PTFE 2 = PTFE / Carbon 3 = PTFE / Sic 4 = Carbon / Sic 6 = Carbon / Carbon	04 = 400 05 = 500 06 = 600 07 = 700 08 = 800 09 = 900 10 = 1000 11 = 1100	12 = 1200 13 = 1300 14 = 1400 15 = 1500 16 = 1600 17 = 1700 18 = 1800	B = Socket union F = Flanged	A = 50Hz Rpm 2800 B = 60Hz Rpm 3450	S = Strainer B = Additional bushing couple C = Aluminium Bracket With Additional Bearings
EVV8	P	X	3	06		B	A	L

EXPLODED VIEW

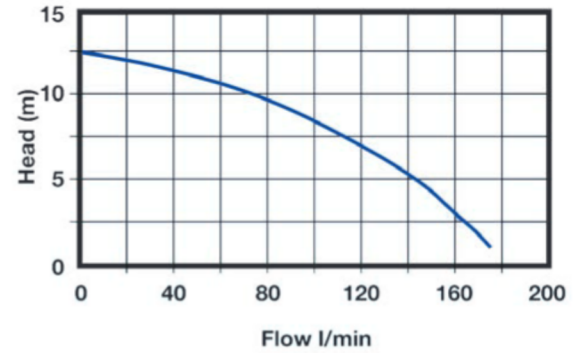


Particular description	
1	Motor
2	Screw
3	Baffle
4	Seal ring
5	Discharge pipe
6	Support flange
8	Shaft sleeve
9	Pump column
10	Shaft
11	Elbow
11A	Elbow O-Ring
13	Rotating bush
14	Static bushing
15	Bush O-Ring
16	Pump housing bolts
17	Pump housing O-Ring
18	Ogive O-Ring
19	Impeller
20	Ogive
21	Pump housing
22	Vapour seal housing
23	Baffle
24	Seal ring
25	Bushing nut
26	O-Ring nut

Performance 50 Hz - Rpm 2800

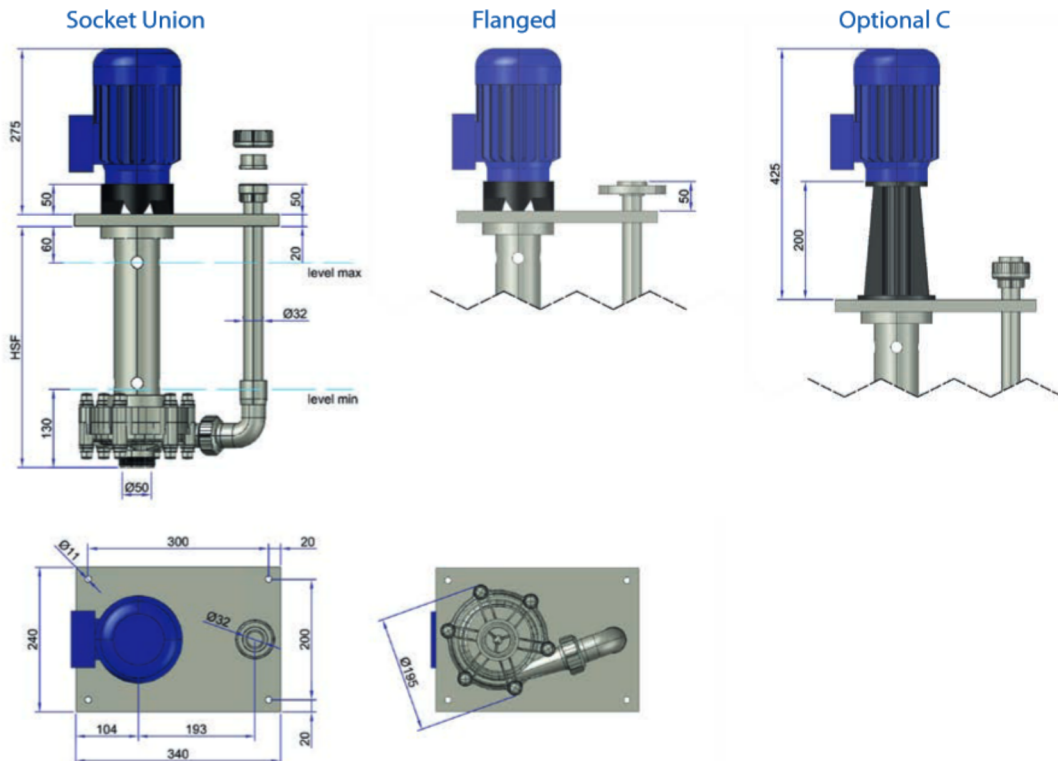


Performance 60 Hz - Rpm 3400



Curve references: water at room temperature

DIMENSIONS



LAFONTE.EU may modify data any time, without notice, in order to provide product enhancement