



### ADVANTAGES

- Excellent Chemical Resistance
- Low Energy Consumption thanks to the "Volute" Design of the Pump Body
- Dry-run capability for Pump depth till 600mm (no bushes version)

### FEATURES

- Body materials: PP - PVDF - PVC
- Tmax = PP 70°C - PVDF 95°C - PVC 50°C
- Connection: Socket Union (Standard); Flanged (Optional)
- Pump Depth 400 - 2.000 mm
- Bushing Couple Wide range of combinations (see table)
- Open impeller
- Customizable Support Flange Dimensions

### APPLICATIONS

- Industry: Chemical, Electro plating, PCB board
- Acid and Alkaline solutions with the presence of solid particles in suspension
- Waste Water Treatment

### SPECIFICATIONS

	Capacity (l/min.)	Total head max (m)	Motor (kw)	IN/OUT D mm	T max exercise °C
50 Hz	555	27	3	63x50	PP = 70°C
60 Hz	560	28	3		PVDF = 95°C
					PVC = 50°C

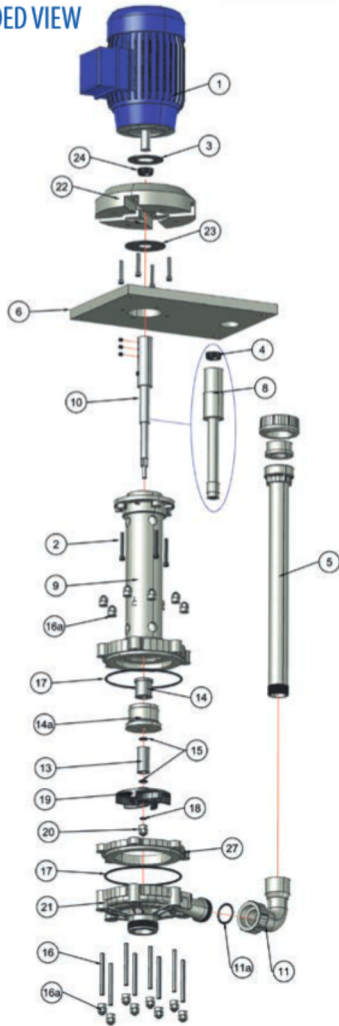
\*It may change according to supplied motor and pump depth



### PUMP IDENTIFICATION

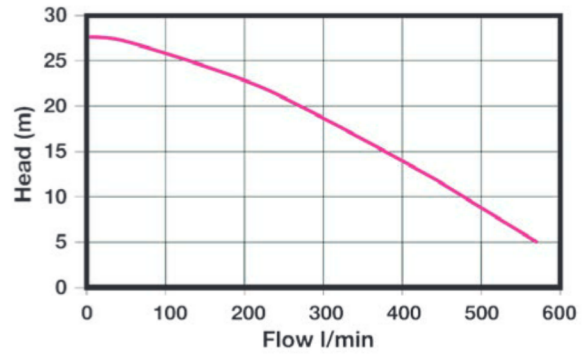
Mod.	Pump body	Shaft	Bushing couple static/rotating	DEPTH mm		Connections	Motor	Optional							
EVV30	P = PP F = PVDF C = PVC	X = INOX AISI316 T = Titanium H = Hastelloy	1 = PTFE / PTFE 2 = PTFE / Carbon 3 = PTFE / Sic 4 = Carbon / Sic 6 = Carbon / Carbon	04 = 400	13 = 1300	B = Socket union F = Flanged	A = 50Hz Rpm 2800 B = 60Hz Rpm 3450	S = Strainer B = Additional bushing couple C = Aluminium Bracket With Additional Bearings							
				05 = 500	14 = 1400										
				06 = 600	15 = 1500										
				07 = 700	16 = 1600										
				08 = 800	17 = 1700										
				09 = 900	18 = 1800										
				10 = 1000	19 = 1900										
				11 = 1100	20 = 2000										
				12 = 1200											
				EVV30	P				X	3	06		B	A	L

## EXPLODED VIEW

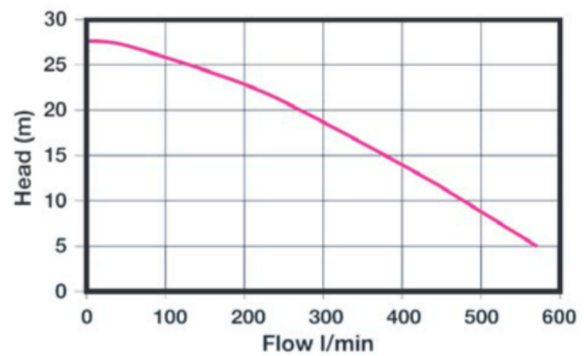


Particular description	
1	Motor
2	Screw
3	Baffle
4	Seal ring
5	Discharge pipe
6	Support flange
8	Shaft sleeve
9	Pump column
10	Shaft
11	Elbow
11A	Elbow O-Ring
13	Rotating bush
14	Static bushing
14A	Static bushing hous.
15	Bush O-Ring
16	Pump housing bolts
17	Pump housing O-Ring
18	Ogive O-Ring
19	Impeller
20	Ogive
21	Pump housing
22	Vapour seal housing
23	Baffle
24	Seal ring

Performance 50 Hz - Rpm 2800

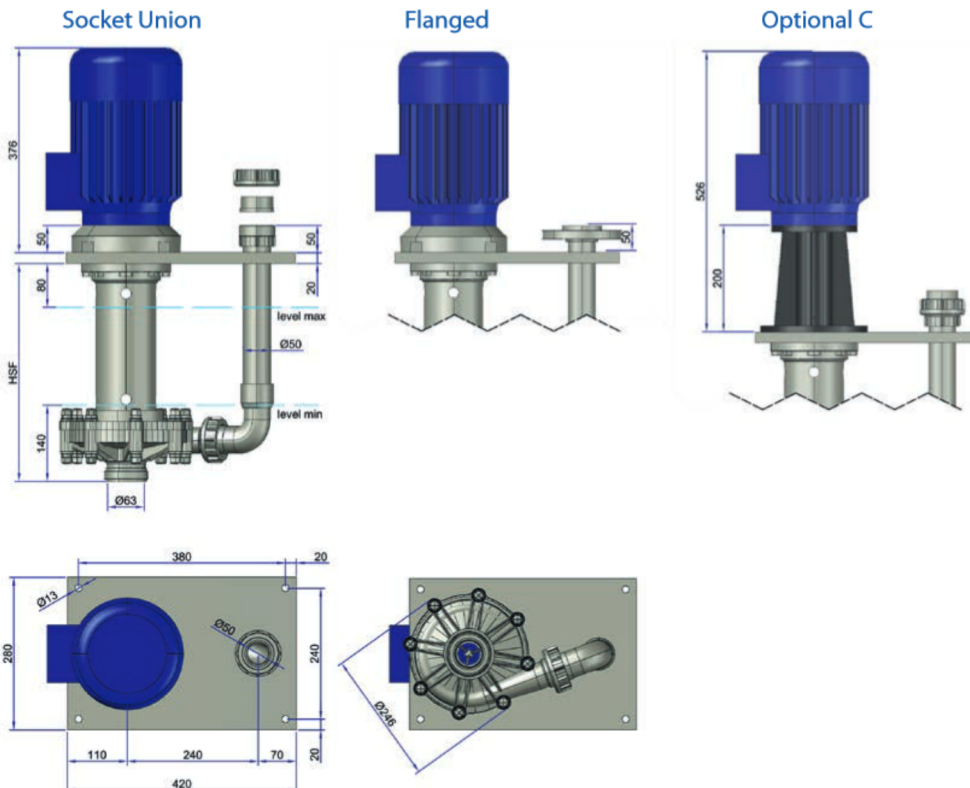


Performance 60 Hz - Rpm 3400



Curve references: water at room temperature

## DIMENSIONS



LAFONTE.EU may modify data any time, without notice, in order to provide product enhancement